

Model Explanation

LCT-xxxLN/SLN/W

Round shape counterflow cooling tower

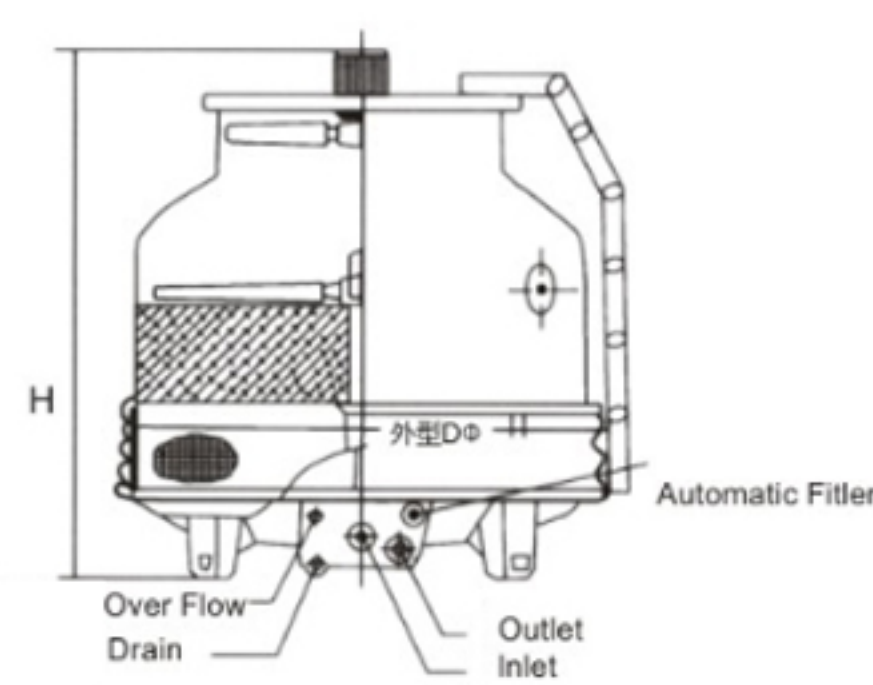
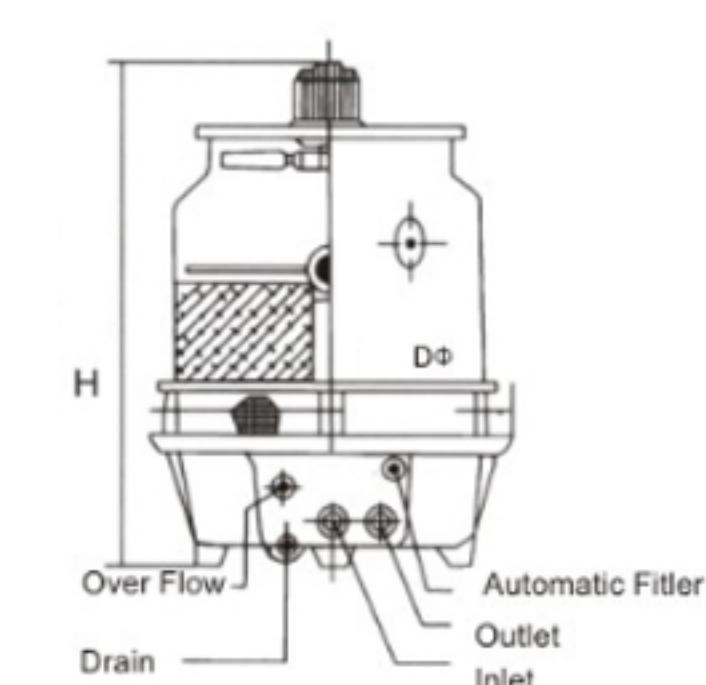
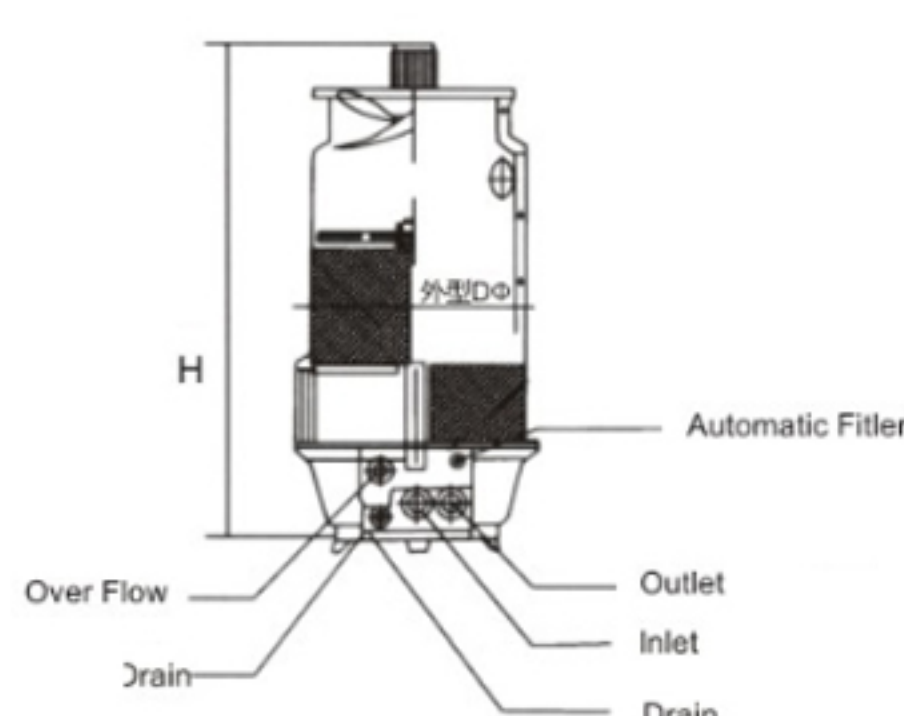
Circulating water flow

Low noise type

Super low noise type

High temperature type

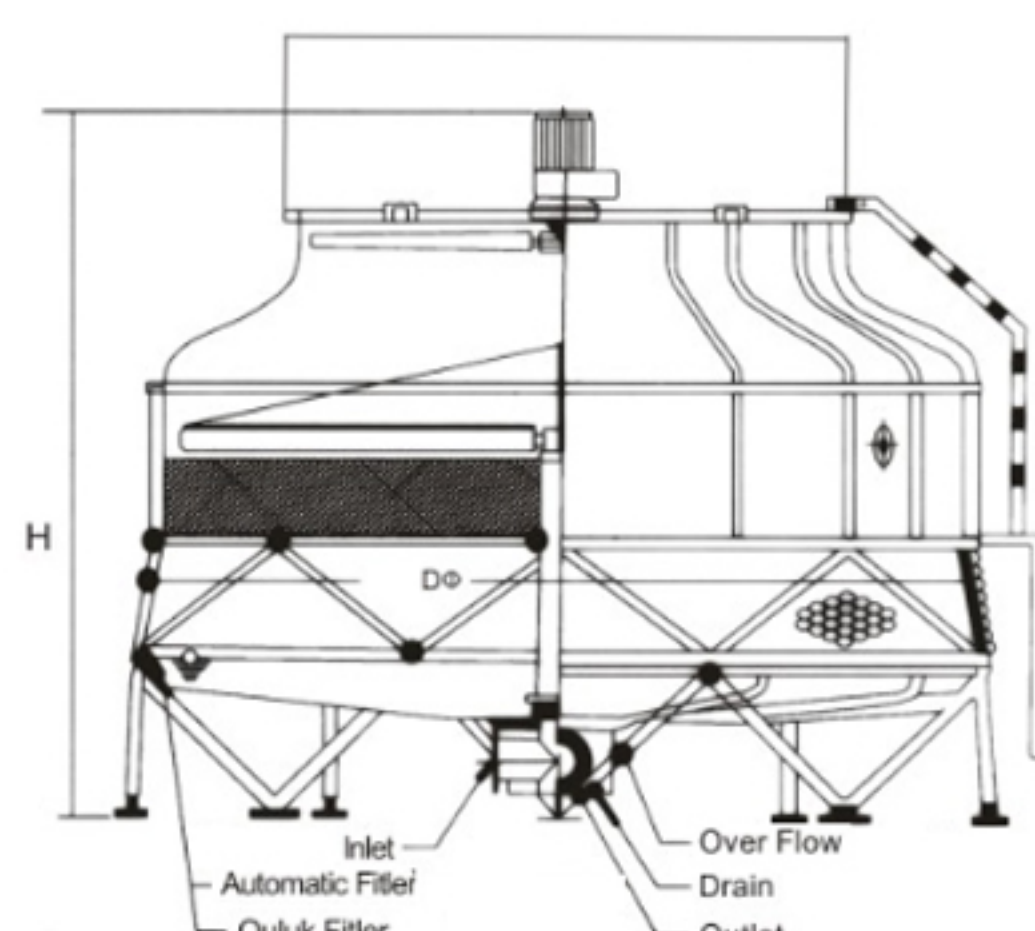
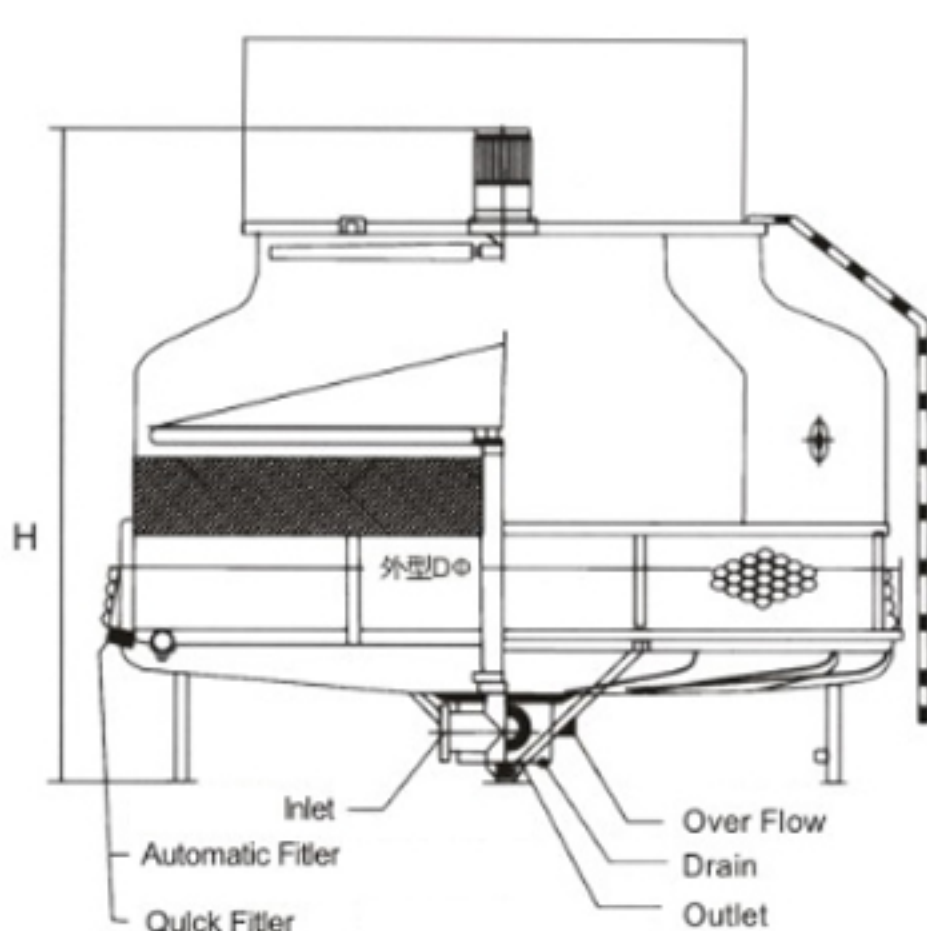
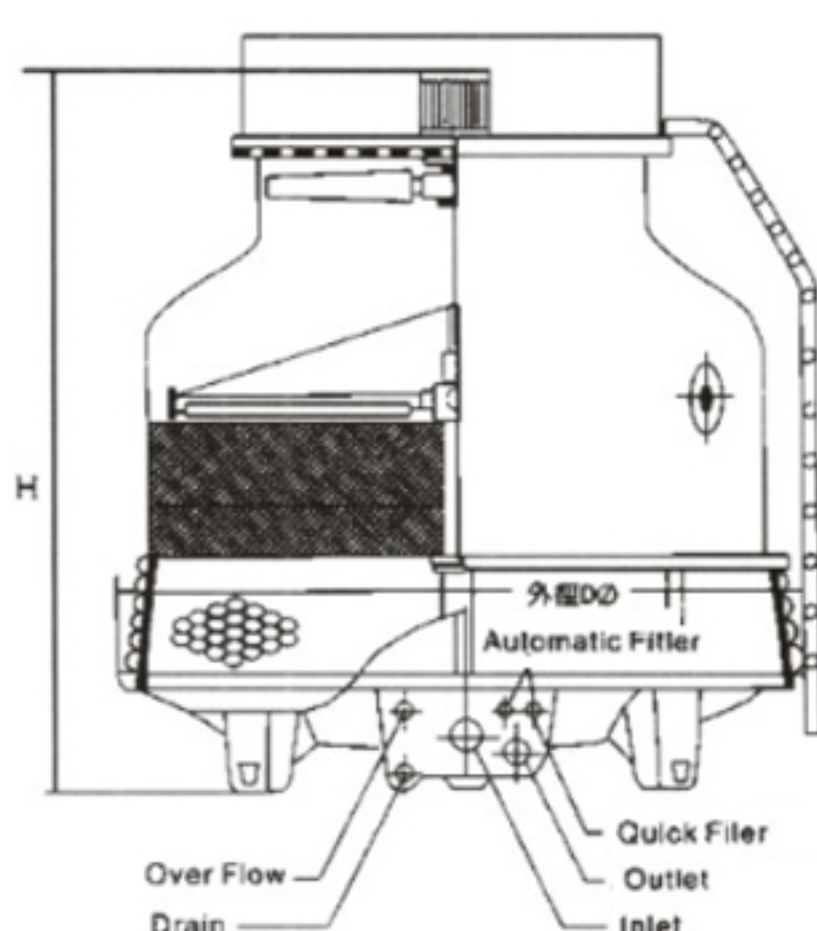
Performance Parameter Table of LCT-SLN Series Super Low Noise Type



LCT-SLN-10-20

LCT-SLN-25-30

LCT-SLN-40-125



LCT-SLN-150-175

LCT-SLN-200-350

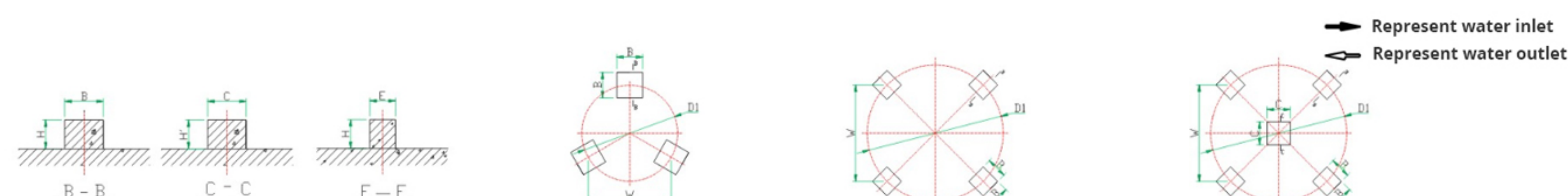
LCT-SLN-400-1250

Design condition

- ◆ Inlet water temperature: T1=37°C
- ◆ Outlet water temperature: T2=32°C
- ◆ Wet bulb temperature: TWB=27°C

- ◆ Dry bulb temperature: T=31.8°C
- ◆ Atmospheric pressure: P=9.94×10⁴ Pa

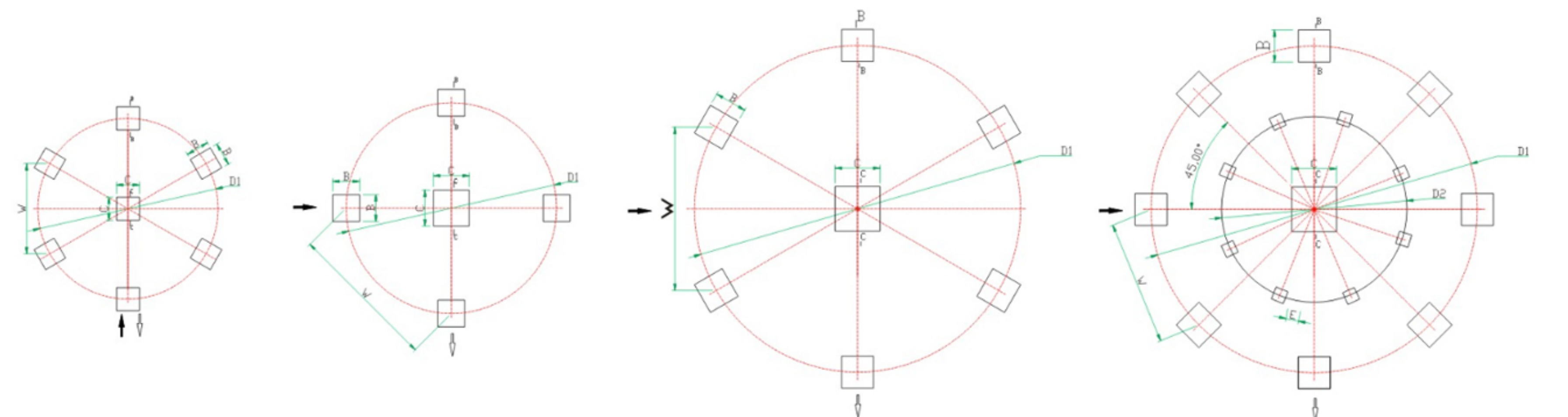
Model	Flow Rate (m ³ /h)		Overall Dimension		Fan Assembly		Piping Size					Noise (dB)
	WB28°C	WB27°C	Height H	Outer Diameter D	Motor(H)	Fan	Warm Water Inlet	Cold Water Outlet	Drain Pipe DR	Overflow Pipe OF	Feed Pipe FV	
	TWB28°C	TWB27°C										
LCT-10SLN	7.2	8.5	2340	1060	1/4	670	40	40	25	25	15	40
LCT-15SLN	10.8	12	2560	1060	1/4	670	40	40	25	25	15	40.5
LCT-20SLN	14.4	17	2600	1200	1/4	670	50	50	25	25	15	41.5
LCT-25SLN	18.5	20	2890	1430	1/2	770	80	80	25	25	15	43.5
LCT-30SLIM	21.6	24	2890	1430	3/4	770	80	80	25	25	15	44
LCT-40SLN	28.8	32	2960	1620	1	770	80	80	25	25	15	45
LCT-50SLN	36	40	3195	1810	2	970	80	80	25	25	15	46
LCT-60SLN	43.2	48	3195	2000	2	970	80	80	25	25	15	46.5
LCT-80SLN	57.6	64	3390	2180	2	1170	100	100	25	25	25	48
LCT-100SLN	72	80	3490	2180	2	1170	100	100	40	25	25	48
LCT-125SLN	90	100	3575	2750	3	1470	100	100	40	25	25	48.5
LCT-150SLN	108	120	3650	3070	3	1470	125	125	50	25	25	49
LCT-175SLN	126	140	4050	3300	5	1750	125	125	50	50	25	50
LCT-200SLN	144	160	4150	3300	5	1750	125	125	50	50	25	50.5
LCT-250SLN	180	200	4450	3770	5	1750	150	150	50	50	40	52.5
LCT-300SLN	216	240	4810	3770	7.5	2400	200	200	50	50	40	53
LCT-350SLN	252	280	5000	4790	10	2400	200	200	50	50	40	53
LCT-400SLN	288	320	5000	4790	10	2400	200	200	50	50	40	53.5
LCT-500SLN	360	400	6200	5480	15	3000	250	250	80	80	40	54
LCT-600SLN	432	480	6260	5580	15	3000	250	250	80	80	40	54
LCT-700SLN	504	560	6770	6600	20	3400	250	250	80	80	40	55.5
LCT-800SLN	576	640	6820	6600	20	3400	250	250	80	80	40	56.5
LCT-1000SLN	720	800	6920	7600	30	3600	300	300	80	80	40	58



LCT-SLN-10-30

LCT-SLN-40-60

LCT-SLN-80-100



LCT-SLN-125-200

LCT-SLN-250-400

LCT-SLN-500-600

LCT-SLN-700-1000

Foundation dimension of LCT-SLN series super low noise type

Model	Weight (Kg)		Foundation Dimension (mm)								Pump Head (m)
	Dry	Wet	D1	D2	W	B	C	E	H	H'	
LCT-10SLN	75	255	710	-	615	200	-	-	150	-	2
LCT-15SLN	86	266	710	-	615	200	-	-	150	-	2
LCT-20SLN	96	413	855	-	740	200	-	-	150	-	2
LCT-25SLN	136	525	1040	-	901	200	-	-	150	-	2
LCT-30SLN	151	580	1040	-	901	200	-	-	150	-	2
LCT-40SLN	220	620	1245	-	880	200	-	-	150	-	2.3
LCT-50SLN	302	690	1400	-	990	250	-	-	200	-	2.3
LCT-60SLN	327	715	1600	-	1131	250	-	-	200	-	2.3
LCT-80SLN	441	1220	1620	-	1145	250	300	-	200	300	2.3
LCT-100SLN	535	1390	1620	-	1145	250	300	-	200	300	2.3
LCT-125SLN	594	1720	2330	-	1165	300	300	-	300	350	2.8
LCT-150SLN	730	3000	2610	-	1305	300	300	-	300	350	3
LCT-175SLN	780	3300	2815	-	1408	300	400	-	300	340	3
LCT-200SLN	885	3475	2815	-	1408	300	400	-	300	340	3.2
LCT-250SLN	1680	4228	3354	-	2372	300	500	-	300	300	3.2
LCT-300SLN	1766	5028	3354	-	2372	300	500	-	300	300	3.6
LCT-350SLN	1936	5218	4600	-	3253	300	500	-	300	420	3.6
LCT-400SLN	2377	7026	4600	-	3253	300	500	-	300	420	4
LCT-500SLN	2507	7156	5500	-	2750	500	700	-	300	300	4
LCT-600SLN	3180	10566	5500	-	2750	500	700	-	300	300	4
LCT-700SLN	3766	11166	6480	3900	2488	500	1100	300	300	300	5
LCT-800SLN	4700	12300	6480	3900	2488	500	1100	300	300	300	5.5
LCT-1000SLN	5500	13300	7500	4155	2870	500	1100	300	300	300	6